



For FA/Machine Vision Fixed Focal

DF6HA-1B

Applicable camera (model)

1	2/3	1/2	1/3	1/4
---	-----	-----	-----	-----

FIXED

Fixed Focal

**1.5
Mega**

For Megapixel
Camera

MANUAL

Manual Iris

C-mt

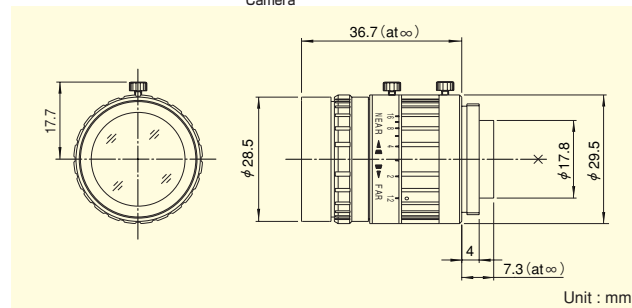
C Mount

METAL

Metal Mount



- Design achieving the high resolution, supporting up to 1.5 mega pixel cameras
- Designed for low distortion, enabling faithful image input
- Compact, lightweight and robust design, supporting various systems
- Focus & iris lock tab provided, supporting environments such as vibration



Unit : mm

Focal Length (mm)		6
Iris Range		F1.2 ~ F16
Operation	Focus	Manual
	Iris	Manual
Angle Of View (H×V)	1/2"	56°09' × 43°36'
	1/3"	43°36' × 33°24'
	1/4"	33°24' × 25°22'
Focusing Range (From Front Of The Lens) (m)		∞ ~ 0.1
Object Dimensions at M.O.D. (H×V) (mm)	1/2"	122 × 92
	1/3"	92 × 69
	1/4"	69 × 52
Back Focal Distance (in air) (mm)		11.44
Exit Pupil Position (From Image Plane) (mm)		-46
Filter Thread (mm)		M27 × 0.5
Mount		C
Mass (g)		55

Remarks

- With Metal Mount
- With Locking Knob for Iris and Focus